

# Installation Instructions

## Pantheon ST EM Surface Dlight: S-PN-EM3/\_



### Safety Precautions.

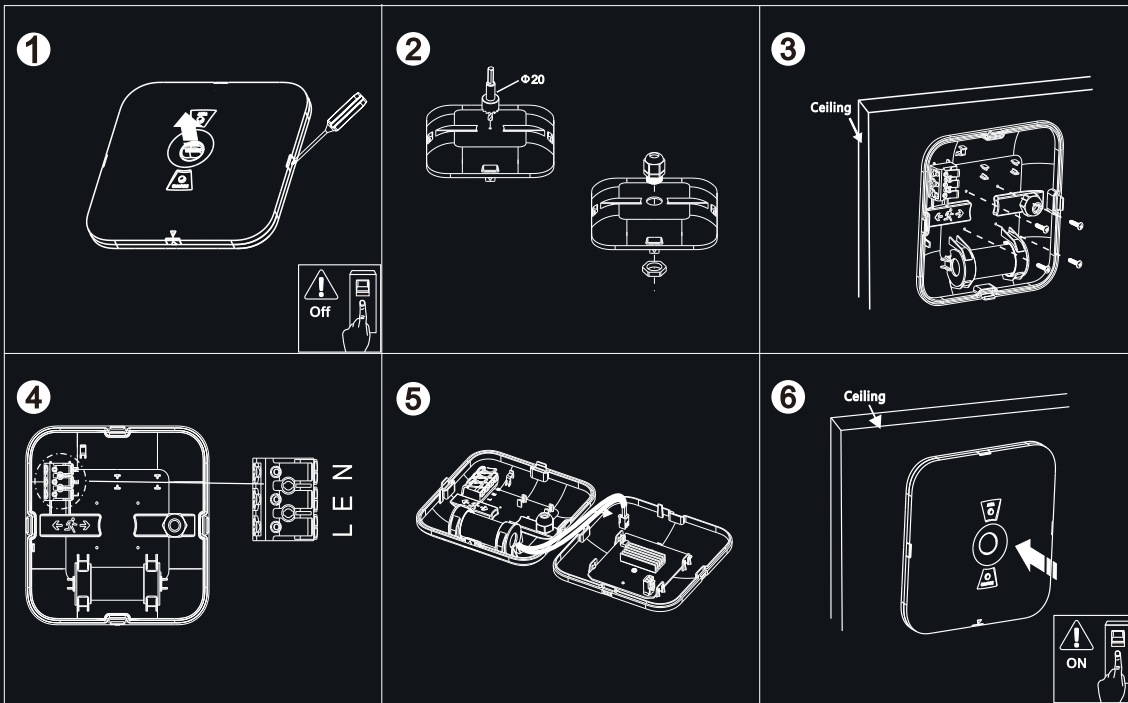
- Power Isolation: Always disconnect the power supply before installing, removing, or servicing the product to prevent electric shock, injury, or damage.
- Qualified Installation: Luminaires should be installed by a certified electrician in accordance with current local wiring regulations.
- Damaged Components: Replace any broken or faulty parts promptly. Spectre Lighting cannot be held liable for issues resulting from poor installation practices.
- Ambient Temperature: Ensure the room temperature does not exceed 25°C during operation.
- Power Supply Compatibility: These products are intended for use with a mains supply of 220-240V~ at 50/60Hz.
- Inrush Current Consideration: You may need to upgrade your MCBs to accommodate higher inrush currents.
- Insulation Testing: Do not perform insulation resistance tests while the product is connected to the circuit.
- Preparation: Review all instructions thoroughly and confirm you have the necessary tools and accessories for proper installation.

5yrs  
Warranty

Unit 8 Gemini 8 Business Park  
Charon Way  
Apollo Park  
Warrington  
WA5 7AE

[www.spectre-lighting.com](http://www.spectre-lighting.com)

### S-PN-EM3/OL/\_:



### Installation Instructions

- Fig 1 - Ensure mains supply is switched off before commencing work. Access internals by gently prising away the front assembly and disconnect front assembly from base via quick release connectors for PCB and battery.
- Fig 2 - Drill cable access at rear of product with 20mm arbor / hole saw and fit 20mm compression gland. Not supplied.
- Fig 3 - Locate desired surface for installation. Mark appropriate fixing hole positions on wall / ceiling, check location of buried cables, pipes and other building services before drilling.
- Fig 4 - Feed through supply cable into base and tighten compression gland to maintain IP65 rating. Cable must be HO7RN-F rubber insulated cable to retain IP65 rating. Connect supply cable to luminaire into push fit terminations ensuring correct polarity is observed. These products are intended for use with a mains supply of 220–240V 50/60Hz.
- Fig 5 - Reconnect connectors to front assembly to base ensuring base and front assembly arrows align.
- Fig 6 - Reattached front assembly and click in place to ensure adequate compression. Reinststate power supply. This product is designed for non-maintained operation.

IP65



RoHS  
Compliant



# Installation Instructions

## Pantheon ST EM Surface Dlight: S-PN-EM3/\_



### Safety Precautions.

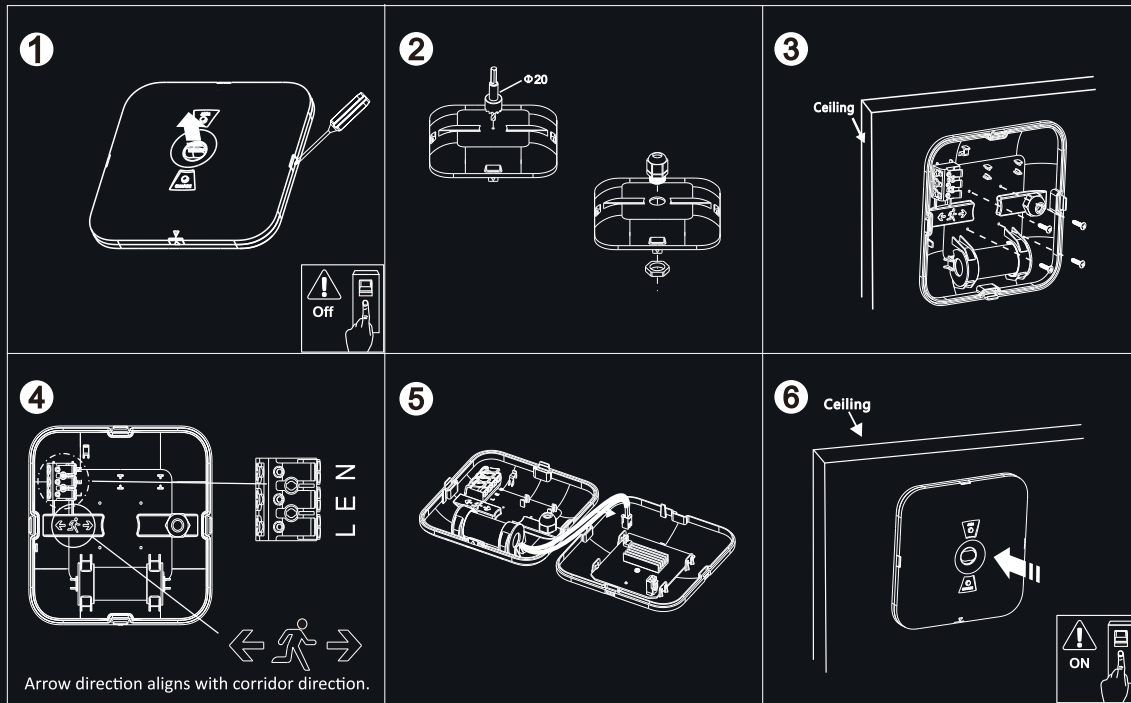
- Power Isolation: Always disconnect the power supply before installing, removing, or servicing the product to prevent electric shock, injury, or damage.
- Qualified Installation: Luminaires should be installed by a certified electrician in accordance with current local wiring regulations.
- Damaged Components: Replace any broken or faulty parts promptly. Spectre Lighting cannot be held liable for issues resulting from poor installation practices.
- Ambient Temperature: Ensure the room temperature does not exceed 25°C during operation.
- Power Supply Compatibility: These products are intended for use with a mains supply of 220-240V~ at 50/60Hz.
- Inrush Current Consideration: You may need to upgrade your MCBs to accommodate higher inrush currents.
- Insulation Testing: Do not perform insulation resistance tests while the product is connected to the circuit.
- Preparation: Review all instructions thoroughly and confirm you have the necessary tools and accessories for proper installation.

5yrs  
Warranty

Unit 8 Gemini 8 Business Park  
Charon Way  
Apollo Park  
Warrington  
WA5 7AE

[www.spectre-lighting.com](http://www.spectre-lighting.com)

### S-PN-EM3/CL/\_:



### Installation Instructions

- Fig 1 - Ensure mains supply is switched off before commencing work. Access internals by gently prising away the front assembly and disconnect front assembly from base via quick release connectors for PCB and battery.
- Fig 2 - Drill cable access at rear of product with 20mm arbor / hole saw and fit 20mm compression gland. Not supplied.
- Fig 3 - Locate desired surface for installation. Mark appropriate fixing hole positions on wall / ceiling, check location of buried cables, pipes and other building services before drilling.
- Fig 4 - Feed through supply cable into base and tighten compression gland to maintain IP65 rating. Cable must be HO7RN-F rubber insulated cable to retain IP65 rating. For S-PN-EM3/CL/\_ versions please ensure base is orientated correctly with arrow is pointing in the direction of the corridor. Connect supply cable to luminaire into push fit terminations ensuring correct polarity is observed. These products are intended for use with a mains supply of 220–240V 50/60Hz.
- Fig 5 - Reconnect connectors to front assembly to base ensuring base and front assembly arrows align.
- Fig 6 - Reattached front assembly and click in place to ensure adequate compression. Reinstall power supply. This product is designed for non-maintained operation.

IP65



RoHS  
Compliant



# Installation Instructions

## Pantheon ST EM Surface Dlight: S-PN-EM3/\_

### Specification

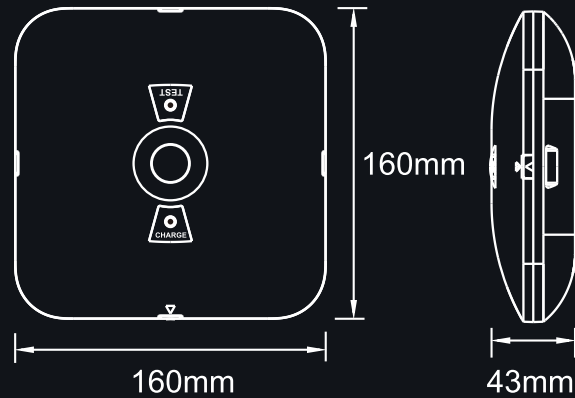
#### S-PN-EM3/OL/\_

- Voltage Range - 220-240V 50/60Hz
- CCT - 6500K
- CRI>60
- 2.5W Max
- Battery - 3.2V 3000mAh LiFePO<sub>4</sub>
- 250lm
- Temp Range - 0°C-40°C

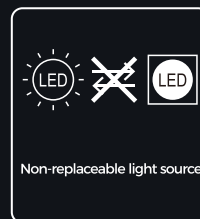
#### S-PN-EM3/CL/\_

- Voltage Range - 220-240V 50/60Hz
- CCT - 6500K
- CRI>60
- 2.5W Max
- Battery - 3.2V 3000mAh LiFePO<sub>4</sub>
- 230lm
- Temp Range - 0°C-40°C

### Dimensions



The light source of this luminaire is not replaceable, when the light source reaches its end of life the luminaire shall be replaced, utilising the existing driver.



### ⚠ Important Disposal Information for Waste Electrical & Electronic Equipment (WEEE)

Please be aware that Waste Electrical and Electronic Equipment (WEEE), identified by the crossed-out wheelie bin symbol, must NOT be disposed of with regular household waste.

We encourage you to support reuse, recycling, and responsible recovery by returning this product—once it reaches the end of its life—to an appropriate collection point. This may include a designated waste equipment centre, a civic amenity site, or the retailer where you originally purchased the item or are buying a replacement.

Improper disposal of this equipment may release substances that are harmful to both human health and the environment. To prevent this, it is essential that WEEE is separated from general waste and processed through approved recycling channels.

The crossed-out wheelie bin symbol serves as a reminder that this product requires special handling in accordance with local WEEE regulations.

## IP65



Unit 8 Gemini 8 Business Park  
Charon Way  
Apollo Park  
Warrington  
WA5 7AE

[www.spectre-lighting.com](http://www.spectre-lighting.com)

### ON Self Test



### 1 Manual Test

### DIP Switch Test Option

- The DIP Switch is located inside the product on the main PCB.
- With the DIP Switch in the 1 position, the fitting will be Manual Test.
- With the DIP Switch in the ON position, the fitting will be Self Test.

LED indicator status			
Indicator	Status	LED Indicator Flash Code	
Green	No Faults	ON	
	Battery Fault	Flashing once every 3s	
	LED Fault	Flashing twice every 3s	
Red	Duration Time: <3 hours	Flashing three times every 3s	
	Self-Test Mode	Yearly Test Flashing four times every 1s (Last 3 hours)	Monthly Test Flashing four times every 1s (Last 10 mins)

