

Installation Instructions

Noble ST EM Exit Box: S-NO-EM3/_



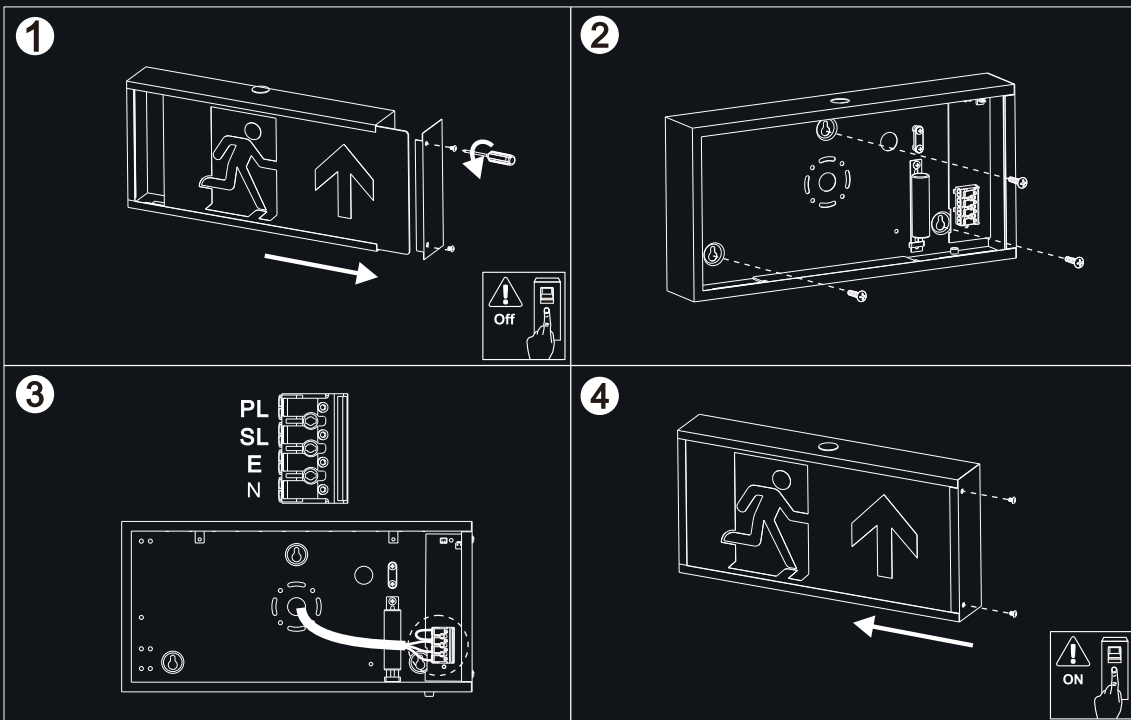
Unit 8 Gemini 8 Business Park
Charon Way
Apollo Park
Warrington
WA5 7AE

www.spectre-lighting.com

Safety Precautions.

- Power Isolation: Always disconnect the power supply before installing, removing, or servicing the product to prevent electric shock, injury, or damage.
- Qualified Installation: Luminaires should be installed by a certified electrician in accordance with current local wiring regulations.
- Damaged Components: Replace any broken or faulty parts promptly. Spectre Lighting cannot be held liable for issues resulting from poor installation practices.
- Ambient Temperature: Ensure the room temperature does not exceed 25°C during operation.
- Power Supply Compatibility: These products are intended for use with a mains supply of 220-240V~ at 50/60Hz.
- Inrush Current Consideration: You may need to upgrade your MCBs to accommodate higher inrush currents.
- Insulation Testing: Do not perform insulation resistance tests while the product is connected to the circuit.
- Preparation: Review all instructions thoroughly and confirm you have the necessary tools and accessories for proper installation.

5yrs
Warranty



Installation Instructions

- Fig 1 - Ensure mains supply is switched off before commencing work. Access internals by releasing 2 retaining screws side bracket and sliding the legend to remove.
- Fig 2 - Locate desired surface for installation. Mark appropriate fixing hole positions on wall / ceiling, check location of buried cables, pipes and other building services before drilling. Feed through supply cable into base.
- Fig 3 - Connect supply cable to luminaire into push fit terminations ensuring correct polarity is observed. These products are intended for use with a mains supply of 220–240V 50/60Hz. Connect battery pack via quick connector.
- Fig 4 - Reinstall legend and fix side bracket. Reinstate power supply.

IP20



RoHS
Compliant



Installation Instructions

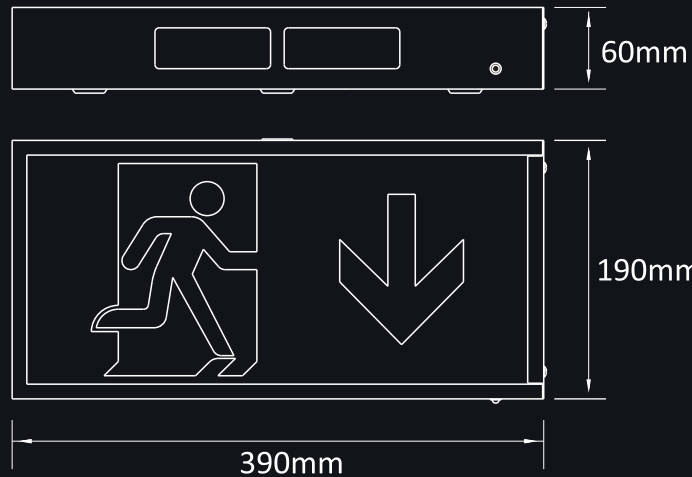
Noble ST EM Exit Box: S-NO-EM3/_

Specification

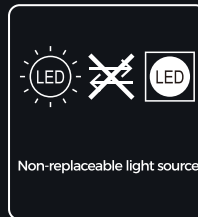
S-NO-EM3/_

- Voltage Range - 220-240V 50/60Hz
- 2.5W Max
- Battery - 3.2V 1000mAh LiFePO4
- Viewing Distance - 32M
- Temp Range - 0°C-40°C

Dimensions



Replaceable control gear by a professional



Non-replaceable light source

The light source of this luminaire is not replaceable, when the light source reaches its end of life the luminaire shall be replaced, utilising the existing driver.

⚠ Important Disposal Information for Waste Electrical & Electronic Equipment (WEEE)

Please be aware that Waste Electrical and Electronic Equipment (WEEE), identified by the crossed-out wheelie bin symbol, must NOT be disposed of with regular household waste.

We encourage you to support reuse, recycling, and responsible recovery by returning this product—once it reaches the end of its life—to an appropriate collection point. This may include a designated waste equipment centre, a civic amenity site, or the retailer where you originally purchased the item or are buying a replacement.

Improper disposal of this equipment may release substances that are harmful to both human health and the environment. To prevent this, it is essential that WEEE is separated from general waste and processed through approved recycling channels.

The crossed-out wheelie bin symbol serves as a reminder that this product requires special handling in accordance with local WEEE regulations.

IP20



Unit 8 Gemini 8 Business Park
Charon Way
Apollo Park
Warrington
WA5 7AE

www.spectre-lighting.com

ON Self Test



1 Manual Test

DIP Switch Test Option

- The DIP Switch is located inside the product on the main PCB.
- With the DIP Switch in the 1 position, the fitting will be Manual Test.
- With the DIP Switch in the ON position, the fitting will be Self Test.

LED indicator status			
Indicator	Status	LED Indicator Flash Code	
Green	No Faults	ON	
	Battery Fault	Flashing once every 3s	
	LED Fault	Flashing twice every 3s	
Red	Duration Time: <3 hours	Flashing three times every 3s	
	Self-Test Mode	Yearly Test Flashing four times every 1s (Last 3 hours)	Monthly Test Flashing four times every 1s (Last 10 mins)

