

# Installation Instructions

## ArcBeam : S-AB-XX/40/\_



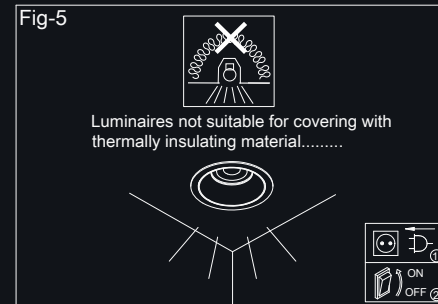
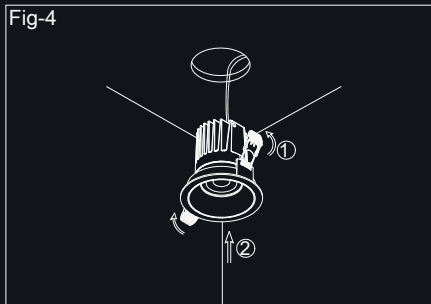
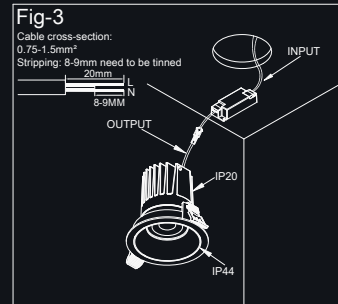
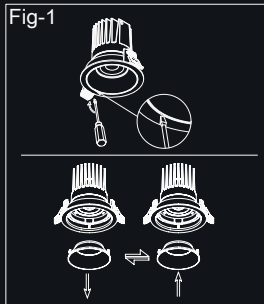
Unit 8 Gemini 8 Business Park,  
Charon Way  
Apollo Park  
Warrington  
WA5 7AE

[www.spectre-lighting.com](http://www.spectre-lighting.com)

### Safety Precautions.

- Power Isolation: Always disconnect the power supply before installing, removing, or servicing the product to prevent electric shock, injury, or damage.
- Qualified Installation: Luminaires should be installed by a certified electrician in accordance with current local wiring regulations.
- Damaged Components: Replace any broken or faulty parts promptly. Spectre Lighting cannot be held liable for issues resulting from poor installation practices.
- Ambient Temperature: Ensure the room temperature does not exceed 25°C during operation.
- Power Supply Compatibility: These products are intended for use with a mains supply of 230–240V~ at 50/60Hz.
- Inrush Current Consideration: You may need to upgrade your MCBs to accommodate higher inrush currents.
- Insulation Testing: Do not perform insulation resistance tests while the product is connected to the circuit.
- Preparation: Review all instructions thoroughly and confirm you have the necessary tools and accessories for proper installation.

5yrs  
Warranty



### Installation Instructions

Fig 1. Optional - Steps for replacing the front cover: Insert the tool into the gap of the front cover, gently pry it open to remove the old cover, and replace it with new.

Fig 2. Ensure power supply is isolated before proceeding with installation. Locate desired surface for recessed installation. Measure, draw and cut out hole applicable to product size. (see page 2 for cut out measurements).

Fig 3. Feed through supply cable. Using remote terminal housing, connect supply cable to luminaire into push fit terminations ensuring correct polarity is observed. These products are intended for use with a mains supply of 2200–240V~ at 50/60Hz.

Fig 4. Feed driver and housing into recessed area. Retract housing spring clips and offer in cut out ensuring the driver sits adjacent to the product.

Fig 5. Reinstate power supply.

**Please Note : Luminaire is NOT suitable to be covered with any insulation or thermal material.**

IP44



RoHS  
Compliant



# Installation Instructions

## ArcBeam : S-AB-XX/40/\_



Unit 8 Gemini 8 Business  
Park, Charon Way  
Apollo Park  
Warrington  
WA5 7AE

www.spectre-lighting.com

### Specification

#### S-AB-80/40/\_

- Voltage Range – 220-240V 50/60Hz
- CCT – 4000K
- CRI90
- 12.3W
- 2,000lm
- Temp Range -10 – 25 °C

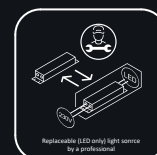
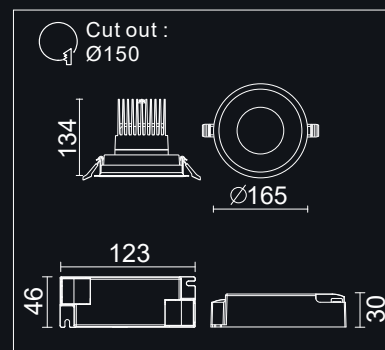
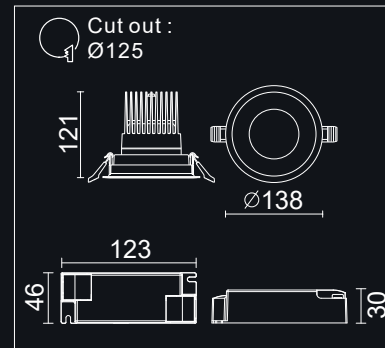
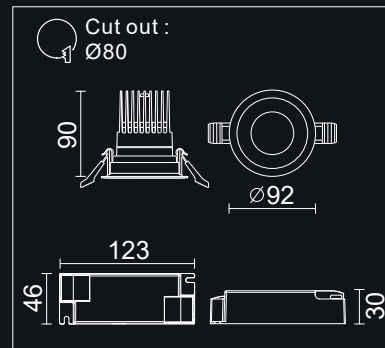
#### S-AB-125/40/\_

- Voltage Range – 220-240V 50/60Hz
- CCT – 4000K
- CRI90
- 21W
- 3,500lm
- Temp Range -10 – 25 °C

#### S-AB-150/40/\_

- Voltage Range – 220-240V 50/60Hz
- CCT – 4000K
- CRI90
- 23.8W
- 4,100lm
- Temp Range -10 – 25 °C

### Dimensions



The light source of this luminaire is not replaceable; when the light source reaches its end of life the luminaire shall be replaced, utilising the existing driver.

### ⚠ Important Disposal Information for Waste Electrical & Electronic Equipment (WEEE)

Please be aware that Waste Electrical and Electronic Equipment (WEEE), identified by the crossed-out wheellie bin symbol, must NOT be disposed of with regular household waste.

We encourage you to support reuse, recycling, and responsible recovery by returning this product—once it reaches the end of its life—to an appropriate collection point. This may include a designated waste equipment centre, a civic amenity site, or the retailer where you originally purchased the item or are buying a replacement.

Improper disposal of this equipment may release substances that are harmful to both human health and the environment. To prevent this, it is essential that WEEE is separated from general waste and processed through approved recycling channels.

The crossed-out wheellie bin symbol serves as a reminder that this product requires special handling in accordance with local WEEE regulations.

IP44



RoHS  
Compliant

