

Installation Instructions

Lex: S-LX_-2XGU10



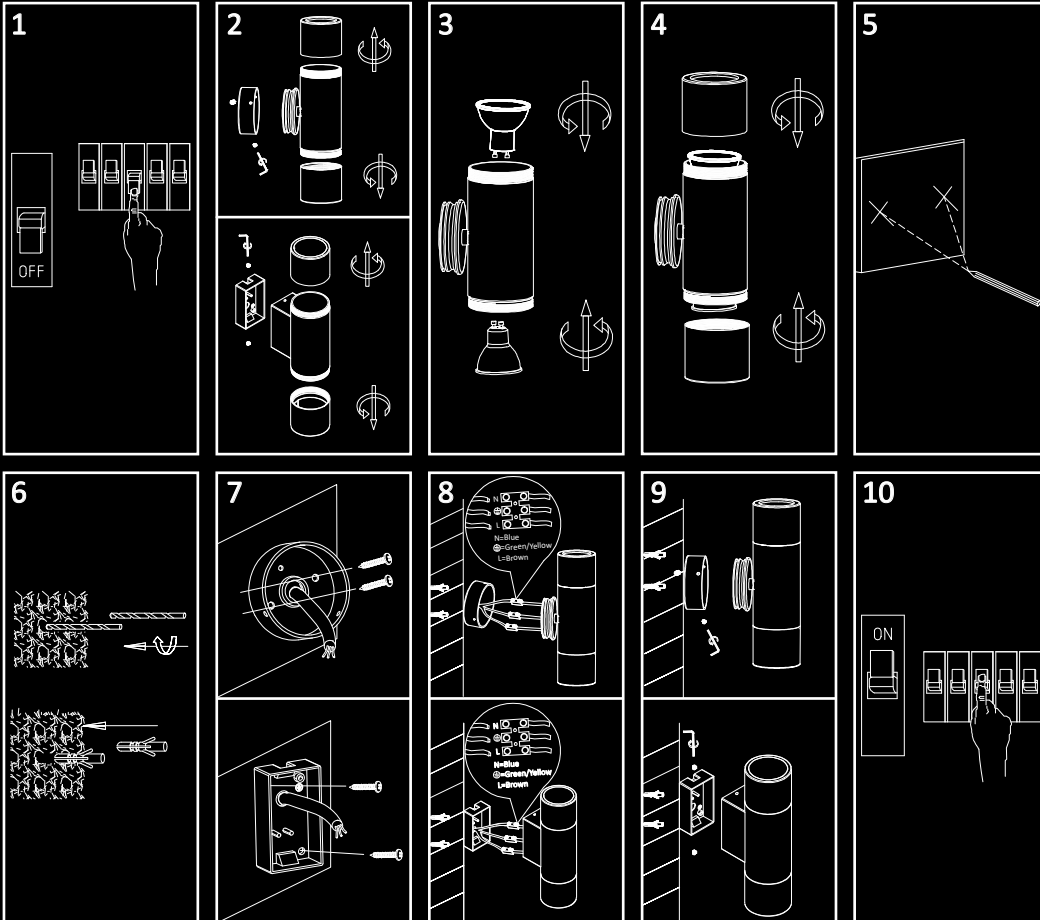
Safety Precautions.

- Power Isolation: Always disconnect the power supply before installing, removing, or servicing the product to prevent electric shock, injury, or damage.
- Qualified Installation: Luminaires should be installed by a certified electrician in accordance with current local wiring regulations.
- Damaged Components: Replace any broken or faulty parts promptly. Spectre Lighting cannot be held liable for issues resulting from poor installation practices.
- Ambient Temperature: Ensure the room temperature does not exceed 25°C during operation.
- Power Supply Compatibility: These products are intended for use with a mains supply of 230–240V~ at 50/60Hz.
- Inrush Current Consideration: You may need to upgrade your MCBs to accommodate higher inrush currents.
- Insulation Testing: Do not perform insulation resistance tests while the product is connected to the circuit.
- Preparation: Review all instructions thoroughly and confirm you have the necessary tools and accessories for proper installation.

5 yrs
Warranty

Unit 8 , Gemini 8 Business Park
Charon Way
Apollo Park
Warrington
WA5 7AE

www.spectre-lighting.com



Installation Instructions

- Fig 1 - Ensure mains supply is switched off before commencing work.
- Fig 2 - Remove backplate using allen key to loosen the set screw and remove the backplate. Rotate and unscrew lamp cover(s).
- Fig 3 - Insert GU10 lamp(s) into lamp socket(s).
- Fig 4 - Reinstall lamp cover(s).
- Fig 5 - Mark the installation position of the light fixture with a marker on the desired surface and located in area of supply cable.
- Fig 6 - Install plastic expansion anchors: Drill holes at the marked positions and insert plastic expansion anchors.
- Fig 7 - Fix the backplate and secure by screwing the mounting screws into the plastic expansion tubes.
- Fig 8 - Feed supply cables through cable gland / entry hole and connect the power supply cables to fitting terminals. Ensuring correct polarity is observed. Ensure cable entry point is adequately sealed to retain IP rating.
- Fig 9 - Fix the body and backplate and secure with allen key. Check gasket position and compression to retain IP rating.
- Fig 10 - Reinststate power supply.

IP65



RoHS
Compliant



Installation Instructions

Lex: S-LX_-2XGU10



Unit 8 , Gemini 8 Business Park
Charon Way
Apollo Park
Warrington
WA5 7AE

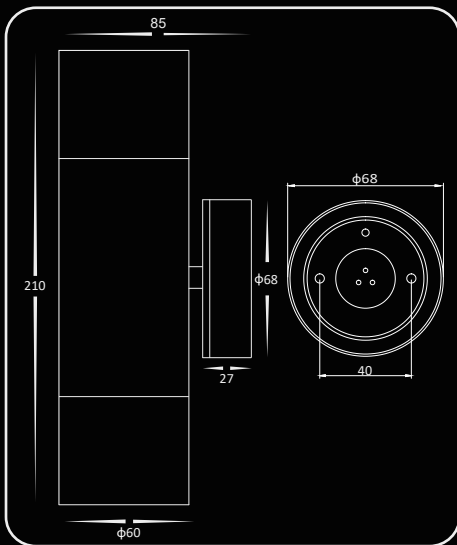
www.spectre-lighting.com

Specification

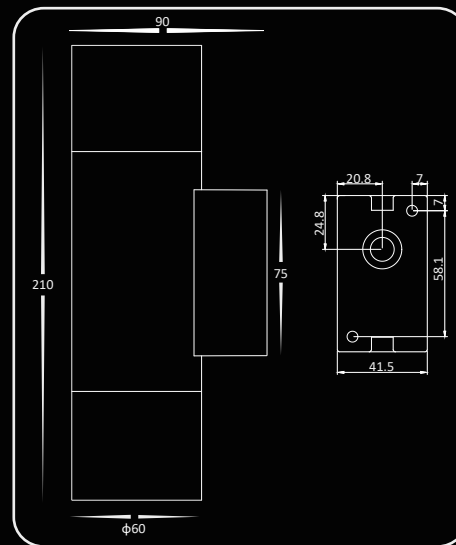
S-LX_-2XGU10

- Voltage Range – 220-240V 50/60Hz
- 2 x GU10
- Max – 2x7W
- IP65 / IK05
- Temp Range -20 – 45°C

S-LX1-2XGU10



S-LX2-2XGU10



⚠ Important Disposal Information for Waste Electrical & Electronic Equipment (WEEE)

Please be aware that Waste Electrical and Electronic Equipment (WEEE), identified by the crossed-out wheelee bin symbol, must NOT be disposed of with regular household waste.

We encourage you to support reuse, recycling, and responsible recovery by returning this product—once it reaches the end of its life—to an appropriate collection point. This may include a designated waste equipment centre, a civic amenity site, or the retailer where you originally purchased the item or are buying a replacement.

Improper disposal of this equipment may release substances that are harmful to both human health and the environment. To prevent this, it is essential that WEEE is separated from general waste and processed through approved recycling channels.

The crossed-out wheelee bin symbol serves as a reminder that this product requires special handling in accordance with local WEEE regulations.

IP65



Installation Instructions

Lex: S-LX_-GU10



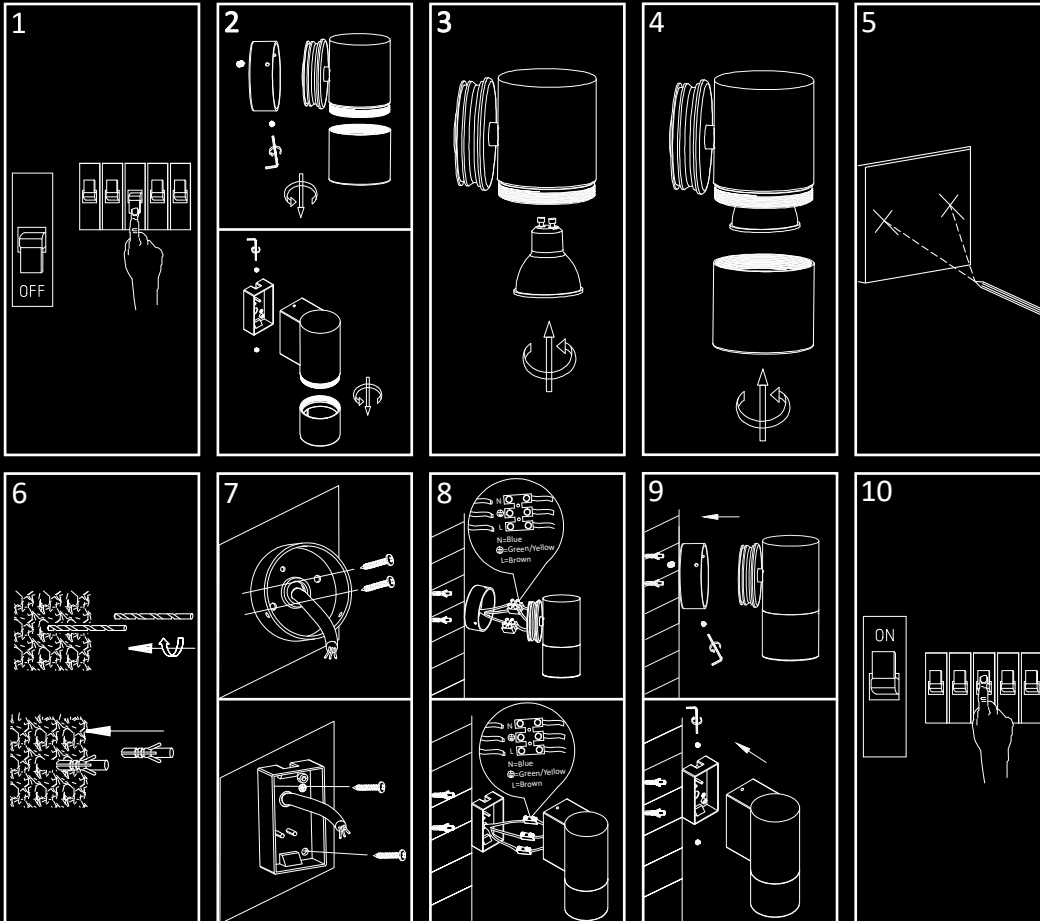
Safety Precautions.

- Power Isolation: Always disconnect the power supply before installing, removing, or servicing the product to prevent electric shock, injury, or damage.
- Qualified Installation: Luminaires should be installed by a certified electrician in accordance with current local wiring regulations.
- Damaged Components: Replace any broken or faulty parts promptly. Spectre Lighting cannot be held liable for issues resulting from poor installation practices.
- Ambient Temperature: Ensure the room temperature does not exceed 25°C during operation.
- Power Supply Compatibility: These products are intended for use with a mains supply of 230–240V~ at 50/60Hz.
- Inrush Current Consideration: You may need to upgrade your MCBs to accommodate higher inrush currents.
- Insulation Testing: Do not perform insulation resistance tests while the product is connected to the circuit.
- Preparation: Review all instructions thoroughly and confirm you have the necessary tools and accessories for proper installation.

5 yrs
Warranty

Unit 8 , Gemini 8 Business Park
Charon Way
Apollo Park
Warrington
WA5 7AE

www.spectre-lighting.com



Installation Instructions

- Fig 1 - Ensure mains supply is switched off before commencing work.
- Fig 2 - Remove backplate using allen key to loosen the set screw and remove the backplate. Rotate and unscrew lamp cover(s).
- Fig 3 - Insert GU10 lamp(s) into lamp socket(s).
- Fig 4 - Reinstall lamp cover(s).
- Fig 5 - Mark the installation position of the light fixture with a marker on the desired surface and located in area of supply cable.
- Fig 6 - Install plastic expansion anchors: Drill holes at the marked positions and insert plastic expansion anchors.
- Fig 7 - Fix the backplate and secure by screwing the mounting screws into the plastic expansion tubes.
- Fig 8 - Feed supply cables through cable gland / entry hole and connect the power supply cables to fitting terminals. Ensuring correct polarity is observed. Ensure cable entry point is adequately sealed to retain IP rating.
- Fig 9 - Fix the body and backplate and secure with allen key. Check gasket position and compression to retain IP rating.
- Fig 10 - Reinststate power supply.

IP65



RoHS
Compliant



Installation Instructions

Lex: S-LX_-GU10



Unit 8 , Gemini 8 Business Park
Charon Way
Apollo Park
Warrington
WA5 7AE

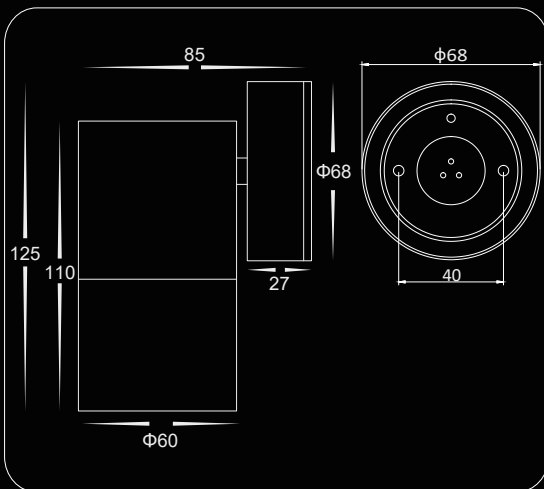
www.spectre-lighting.com

Specification

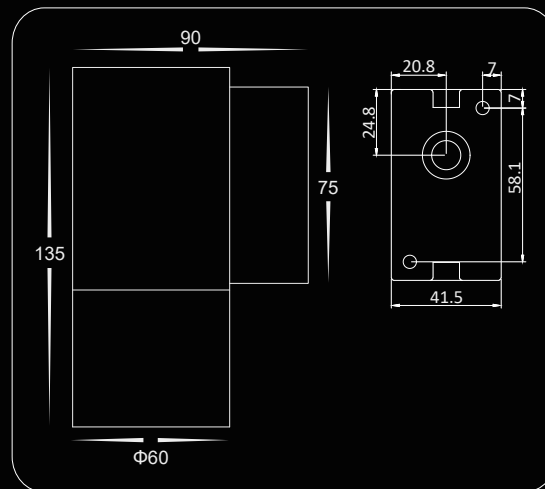
S-LX_-GU10

- Voltage Range – 220-240V 50/60Hz
- GU10
- Max – 7W
- IP65 / IK05
- Temp Range -20 – 45°C

S-LX1-GU10



S-LX2-GU10



⚠ Important Disposal Information for Waste Electrical & Electronic Equipment (WEEE)

Please be aware that Waste Electrical and Electronic Equipment (WEEE), identified by the crossed-out wheeie bin symbol, must NOT be disposed of with regular household waste.

We encourage you to support reuse, recycling, and responsible recovery by returning this product—once it reaches the end of its life—to an appropriate collection point. This may include a designated waste equipment centre, a civic amenity site, or the retailer where you originally purchased the item or are buying a replacement.

Improper disposal of this equipment may release substances that are harmful to both human health and the environment. To prevent this, it is essential that WEEE is separated from general waste and processed through approved recycling channels.

The crossed-out wheeie bin symbol serves as a reminder that this product requires special handling in accordance with local WEEE regulations.

IP65



RoHS
Compliant

