

Instructions

Product Range Name : Aura



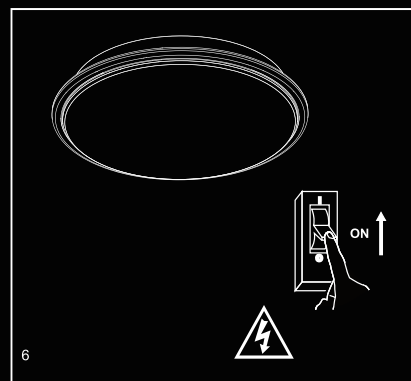
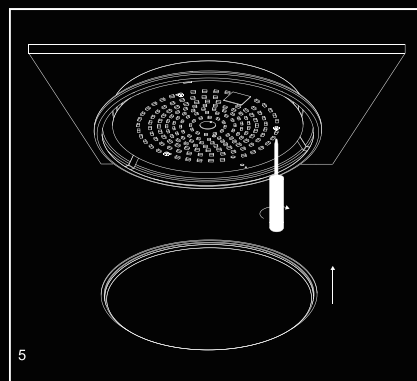
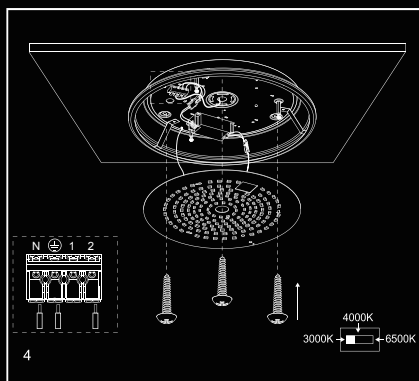
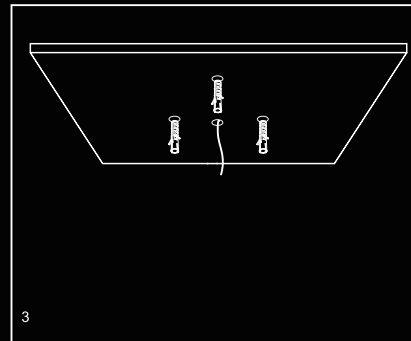
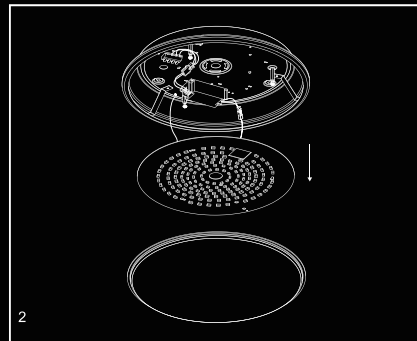
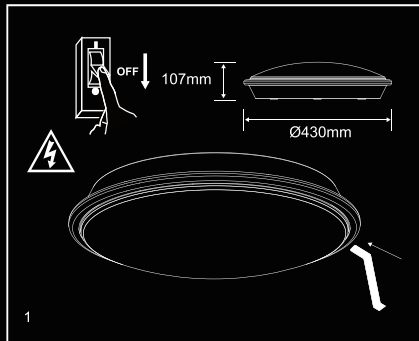
Safety Precautions.

- Power Isolation: Always disconnect the power supply before installing, removing, or servicing the product to prevent electric shock, injury, or damage.
- Qualified Installation: Luminaires should be installed by a certified electrician in accordance with current local wiring regulations.
- Damaged Components: Replace any broken or faulty parts promptly. Spectre Lighting cannot be held liable for issues resulting from poor installation practices.
- Ambient Temperature: Ensure the room temperature does not exceed 25°C during operation.
- Power Supply Compatibility: These products are intended for use with a mains supply of 220–240V~ at 50/60Hz. Inrush Current Consideration: You may need to upgrade your MCBs to accommodate higher inrush currents.
- Insulation Testing: Do not perform insulation resistance tests while the product is connected to the circuit.
- Preparation: Review all instructions thoroughly and confirm you have the necessary tools and accessories for proper installation.

5yrs
Warranty

Unit 8, Gemini 8 Business Park
Charon Way
Warrington
WA5 7AE

www.spectre-lighting.com



Installation

Fig 1 -Ensure mains supply is switched off before commencing work.
Remove diffuser using tool provided as per fig1.

Fig 2 -Loosen three screws to remove the LED gear tray from the fitting and keep in a safe location.

Fig 3 -Mark appropriate fixing hole positions on wall, check location of buried cables, pipes and other building services before drilling.

Fig 4 -Feed supply cables through cable entry hole and attach the base to surface using fixing provided.
Connect the power supply cables to fitting terminals

Fig 5 - Move switch on the front of the LED plate to select colour temperature: 3000K,4000K or 6500K. And select the wattages (16W, 20W, 24W or 28W)on the driver via DIP switch.)

Fig 6 -Refit the LED plate and the diffuser to the base.
Re-apply mains power,

IP20



Instructions

Product Range Name : Aura

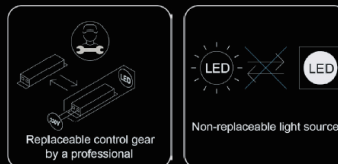
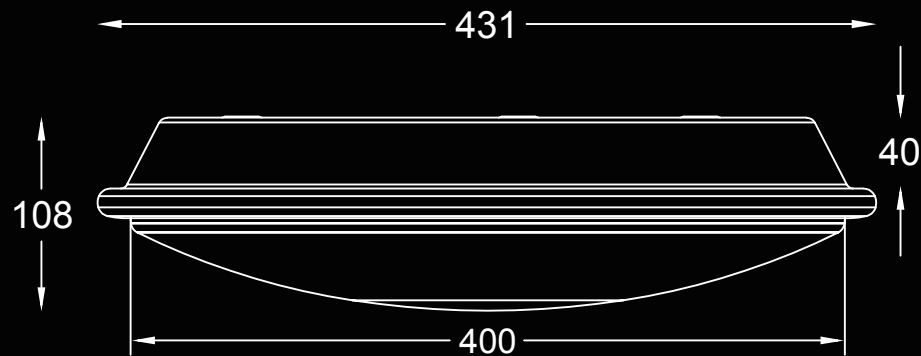
Specification

- Voltage Range – 220-240V 50/60Hz
- CCT – 3000K / 4000K / 6500K
- CRI80
- IP20
- 16W / 20W / 24W / 28W Selectable
- 1760lm – 3080lm / 110Lm/W
- Temp Range 0 – 45 °C



Unit 8, Gemini 8 Business Park
Charon Way
Warrington
WA5 7AE

www.spectre-lighting.com



The light source of this luminaire is not replaceable; when the light source reaches its end of life the luminaire shall be replaced, utilising the existing driver.

⚠ Important Disposal Information for Waste Electrical & Electronic Equipment (WEEE)

Please be aware that Waste Electrical and Electronic Equipment (WEEE), identified by the crossed-out wheellie bin symbol, must NOT be disposed of with regular household waste.

We encourage you to support reuse, recycling, and responsible recovery by returning this product—once it reaches the end of its life—to an appropriate collection point. This may include a designated waste equipment centre, a civic amenity site, or the retailer where you originally purchased the item or are buying a replacement.

Improper disposal of this equipment may release substances that are harmful to both human health and the environment. To prevent this, it is essential that WEEE is separated from general waste and processed through approved recycling channels.

The crossed-out wheellie bin symbol serves as a reminder that this product requires special handling in accordance with local WEEE regulations.

IP20



