

Installation Instructions

Virga: S-VR-B/25/_/CTS



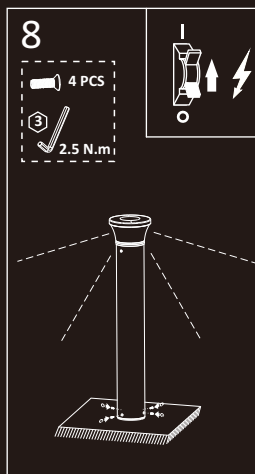
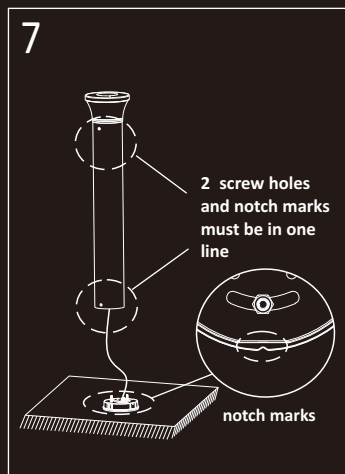
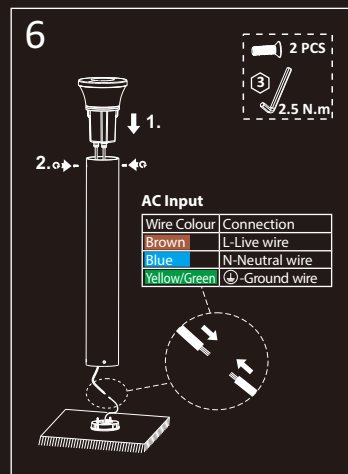
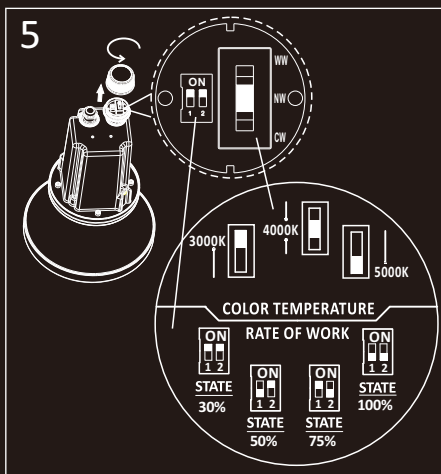
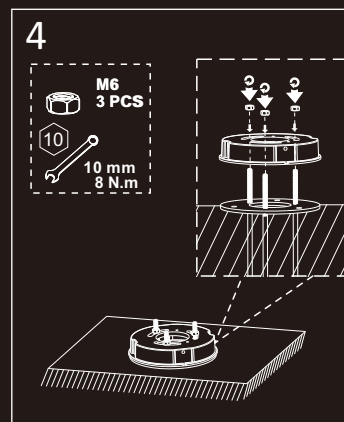
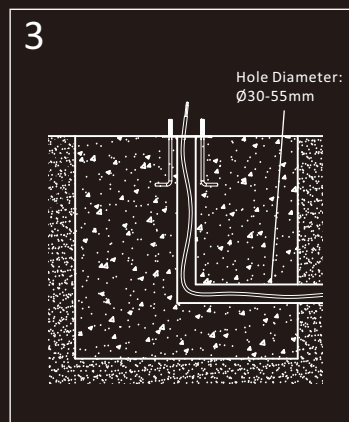
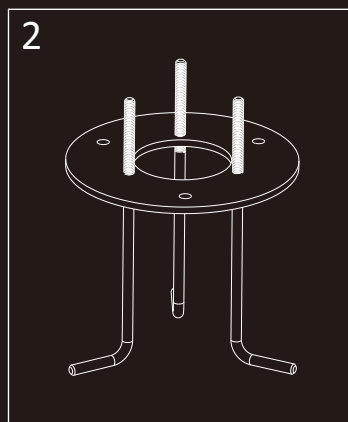
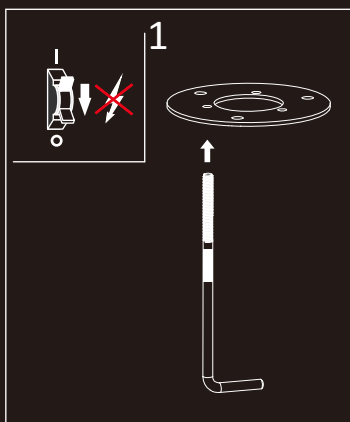
Unit 8 Gemini 8 Business Park
Charon Way
Apollo Park
Warrington
WA5 7AE

www.spectre-lighting.com

Safety Precautions.

- Power Isolation: Always disconnect the power supply before installing, removing, or servicing the product to prevent electric shock, injury, or damage.
- Qualified Installation: Luminaires should be installed by a certified electrician in accordance with current local wiring regulations.
- Damaged Components: Replace any broken or faulty parts promptly. Spectre Lighting cannot be held liable for issues resulting from poor installation practices.
- Ambient Temperature: Ensure the room temperature does not exceed 25°C during operation.
- Power Supply Compatibility: These products are intended for use with a mains supply of 220–240V~ at 50/60Hz.
- Inrush Current Consideration: You may need to upgrade your MCBs to accommodate higher inrush currents.
- Insulation Testing: Do not perform insulation resistance tests while the product is connected to the circuit.
- Preparation: Review all instructions thoroughly and confirm you have the necessary tools and accessories for proper installation.

**5yrs
Warranty**



Installation Instructions

Fig 1. Ensure power supply is isolated before proceeding with installation. Assemble root mounting kit screwing the 3 x L bolts into root mounting plate.

Fig 2. Ensure bolt threads are adequately extended at the top of the plate.

Fig 3. Locate desired location to install bollard. Bury root mounting kit into wet concrete and ensure power cable has adequate / detailed channel diameter.

Fig 4. Once concrete is set, fix bollard base to root mounting kit / bolts and fix into position. Once in place tighten bracket nuts to detailed torque setting.

Fig 5. Select desired output and CCT option via settings located at the bottom of the bollard head. To access remove settings cap by unscrewing anticlockwise. Once seating is complete replace setting cap securely.

Fig 6. Connect supply cable to a IP66 connector. (not supplied). Drop bollard head into position. Feeding supply cable through bollard column to male / female connection near the bollard base. These products are intended for use with a mains supply of 220–240V~ at 50/60Hz

Fig 7. Align base / head fixings to notch on the base

Fig 8. Secure bollard base and head into position and tighten bracket nuts to detailed torque setting. Reinststate power supply.

IP66 CE UK RoHS

Installation Instructions

Virga: S-VR-B/25/_/CTS



Unit 8 Gemini 8 Business Park
Charon Way
Apollo Park
Warrington
WA5 7AE

www.spectre-lighting.com

Specification

S-VR-B/25/50/CTS

- Voltage Range - 220-240V 50/60Hz
- CCT - 4000K(3000K/5000K)
- CRI80
- 25W(19W/12.5W/7.5W)
- 2500lm / 100lm/W
- Temp Range -30°C to +45°C

S-VR-B/25/100/CTS

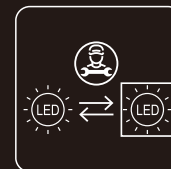
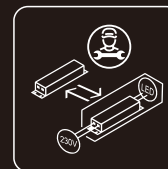
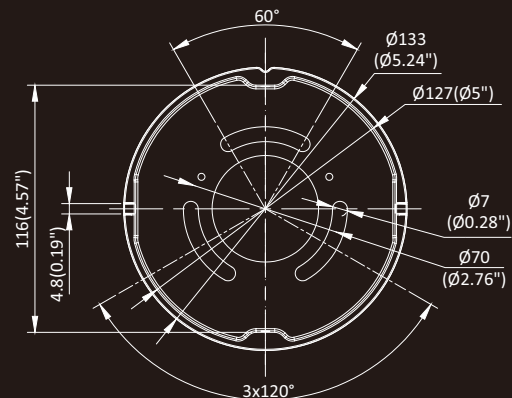
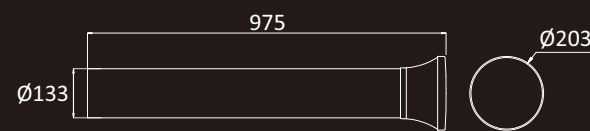
- Voltage Range - 220-240V 50/60Hz
- CCT - 4000K(3000K/5000K)
- CRI80
- 25W(19W/12.5W/7.5W)
- 2500lm / 100lm/W
- Temp Range -30°C to +45°C

Dimensions (mm)

25W 0.5m



25W 1m



⚠ Important Disposal Information or Waste Electrical & Electronic Equipment (WEEE)

Please be aware that Waste Electrical and Electronic Equipment (WEEE), identified by the crossed-out wheellie bin symbol, must NOT be disposed of with regular household waste.

We encourage you to support reuse, recycling, and responsible recovery by returning this product—once it reaches the end of its life—to an appropriate collection point. This may include a designated waste equipment centre, a civic amenity site, or the retailer where you originally purchased the item or are buying a replacement.

Improper disposal of this equipment may release substances that are harmful to both human health and the environment. To prevent this, it is essential that WEEE is separated from general waste and processed through approved recycling channels.

The crossed-out wheellie bin symbol serves as a reminder that this product requires special handling in accordance with local WEEE regulations.

IP66

