

PRODUCT SPECIFICATION

MODEL NO	HD06VCRH 7C
INPUT	12VDC
DESCRIPTION	12VDC HIGHBAY PIR SENSOR
CERTIFICATE	IN ACCORDANCE WITH CE ROHS
VERSION	V3.0

12VDC HIGHBAY PIR SENSOR WITH ZHAGA 18 RECEPTACLE

DONGGUAN HAIYUE INTELLIGENT TECHNOLOGY CO.,LTD
13th Floor, C1 Building, Songshan Lake Intelligent Valley,
Liaobu Town, Dongguan City, 523808, Guangdong.
Contact us info@haisensz.com
www.haisensz.com

Series Work of Art
All Rights Reserved by HAISEN

WRITTEN BY	夏勇
CHECKED BY (R&D)	陈启东
CONFIRMED BY (SALES)	周慕
DATE	2023.09.12

Features & Benefits



To match with Zhaga 18 Base



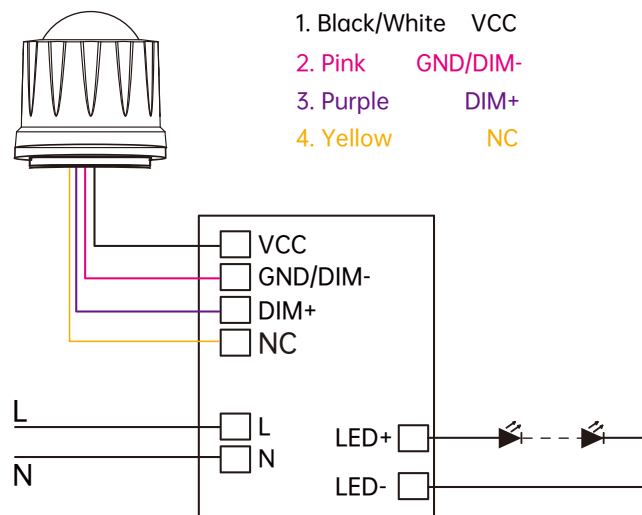
To match with Z10 Base

HD06VCRH 7C

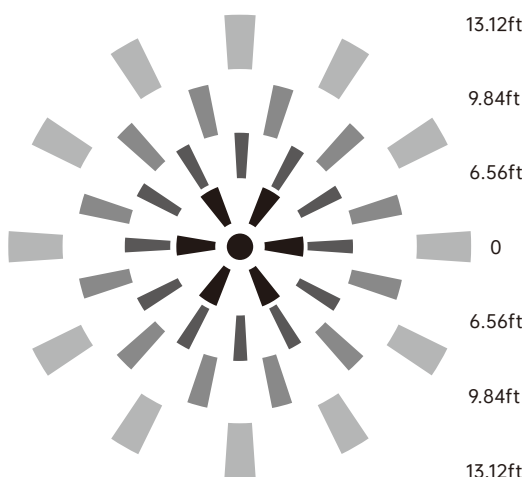
- With Zhaga Book 18 Receptacle and Z10 Receptacle.
- PIR Sensor for max 12M Height.
- Bi-level Dimmable, Daylight Priority.
- Remote Control.



Wiring Diagram

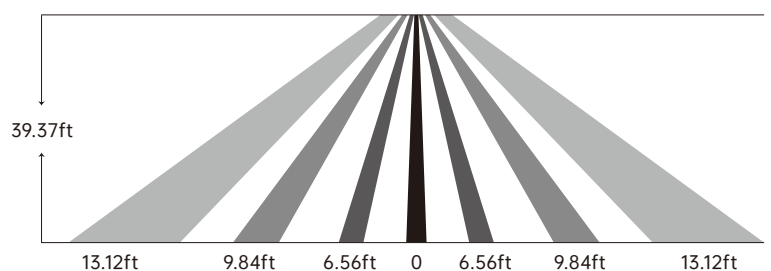


Detection Patterns



Mounting Height
 ≤12m Ceiling Mounted

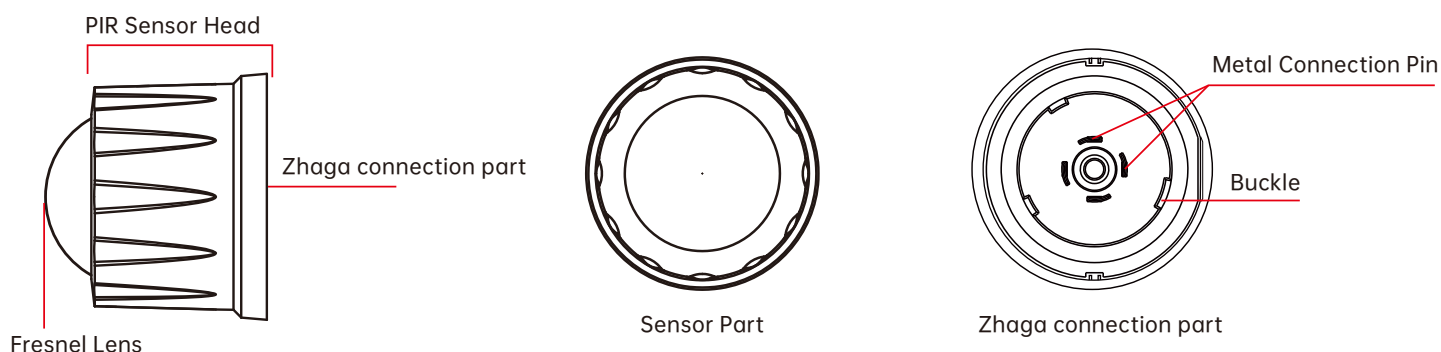
Detection Range
 Radius, 2-4m/6.58-13.12ft Ceiling Mounted



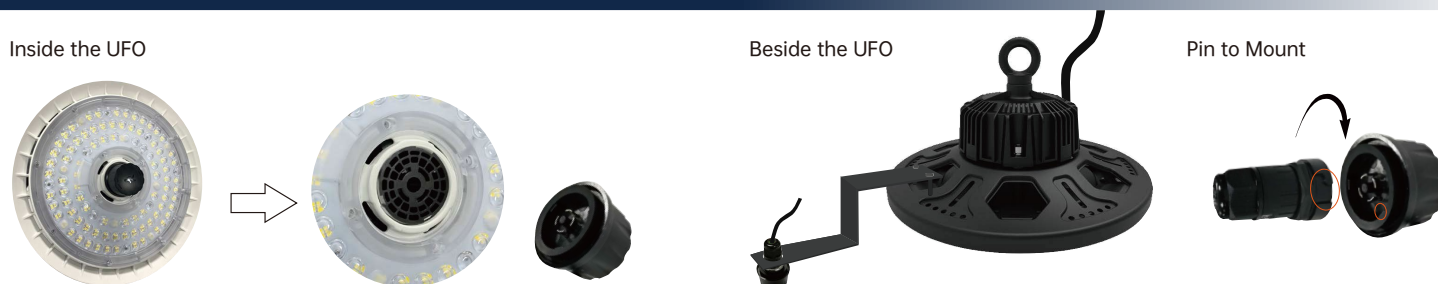
Parameters

Model NO.		HD06VCRH 7C
FUNCTION PARAMETER	Daylight Priority Function	Daylight priority function works when daylight threshold preset as 400Lux/350Lux/300Lux/250Lux/200Lux/120Lux/80Lux/50Lux/30Lux, standby period as/+∞ and standby dimming level as 10%/20%/30%
	Detection Area	25%/50%/75%/100%
	Daylight Threshold	Disable/400Lux/350Lux/300Lux/250Lux/200Lux/120Lux/80Lux/50Lux/30Lux/10Lux/2Lux
	Standby Dimming Level	10%/20%/30%/50%
	Standby Period	0s/10s/30s/1min/5min/10min/30min/60min/+∞
	Holdtime	5s/30s/1min/3min/5min/10min/20min/30min
	Dimming Play	Manually dim 10%~100% in ON/OFF mode, 60%~100% in sensor mode
SENSOR INFORMATION	Warm-up Period	40S
	Detection Angle	≤ 120° (Fresnel Lens)
	Control	Standard Partner HD05R, the LCD screen display remote (purchase seperately)
	Installation Height	Max.12m/39.37ft Ceiling Mounted
	Detection Distance	Radius,2-4m/6.58-13.12ft Ceiling Mounted
	Warranty	3 Years
INPUT	Input Range	10.5-15V DC
	Connection	zhaga
OUTPUT	Signal	DIM 0-10V
	Stand-by Power	<15mA Power Consumption
ENVIRONMENT	Storage Temp	-20°C~+60°C
CERTIFICATE & STANDARDS	Environmental Requirements	In accordance with CE ROHS
	IP Rating	IP65

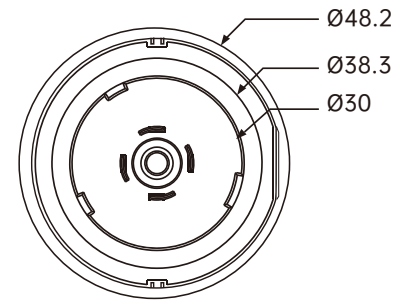
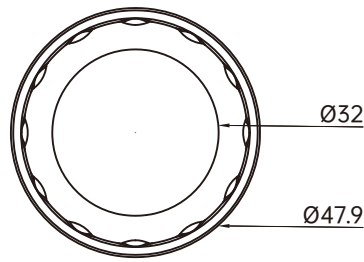
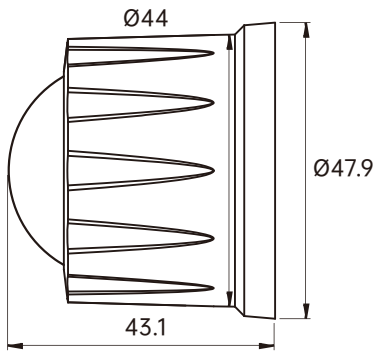
Mechanical structure



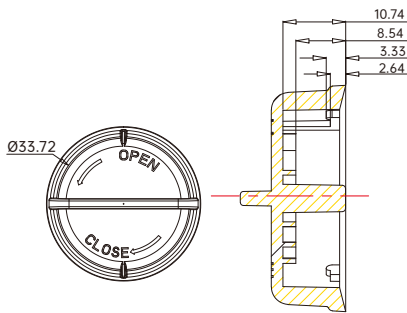
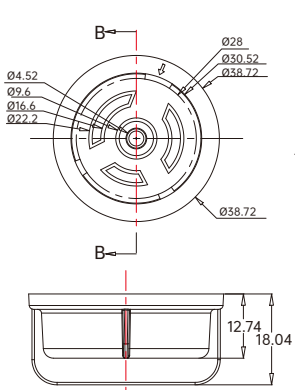
Installation



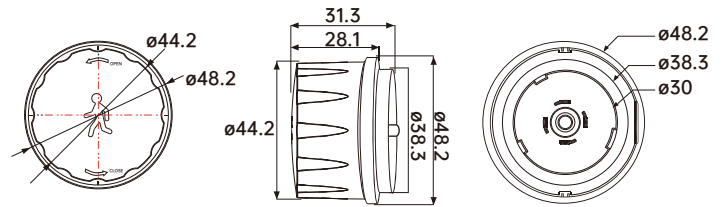
Dimensions Unit:mm



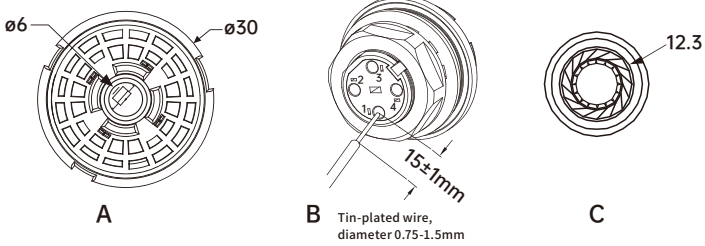
Cap



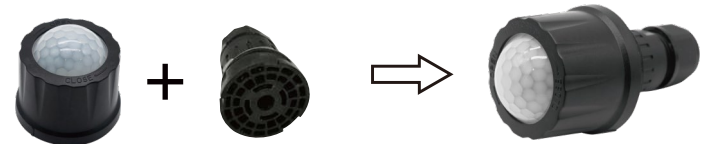
Module



Receptacle



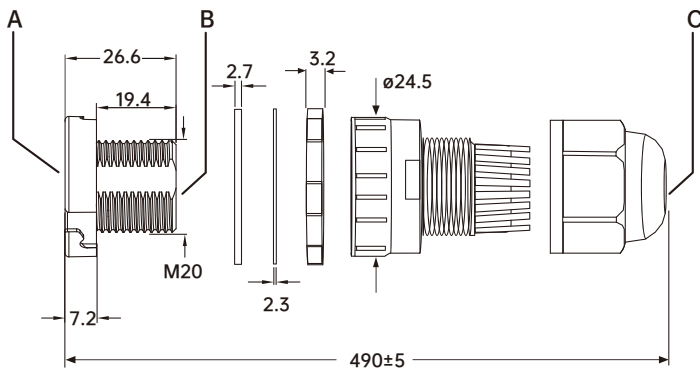
Components



Group 1. Receptacle with the functional module.



Group 2. Receptacle with the cap, no function.



Performance

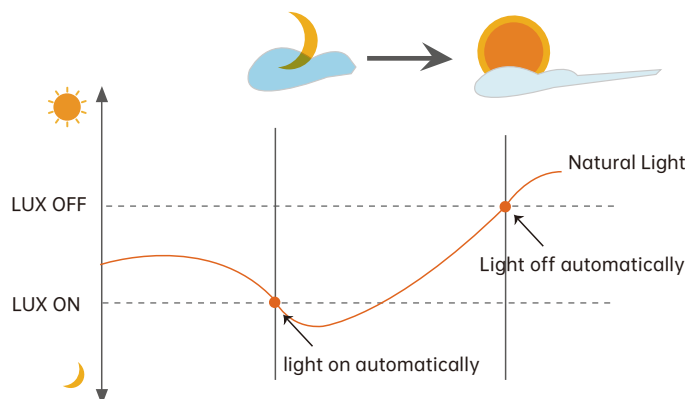
Dusk/Dawn sensor:

Dual-PD technology brings a fully automatic dusk/dawn sensor which can tell the difference between natural light and LED light, to ensure the light will be off when needed.

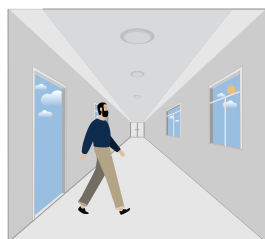
With Daylight priority function, HD06VCRH 7C is able to differentiate artificial light brightness from natural light after installed inside the fixture, and automatically turn off light when ambient brightness exceeds preset lux level.

Precondition of Daylight priority:

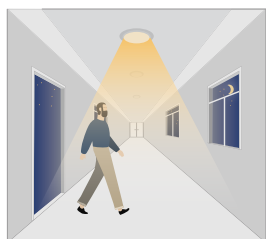
1. Standby period is $+\infty$;
2. Standby dimming level is on 10%, 20% or 30%;
3. Daylight threshold is on 400Lux/350Lux/300Lux/250Lux/200Lux/120Lux/80Lux/50Lux/30Lux.



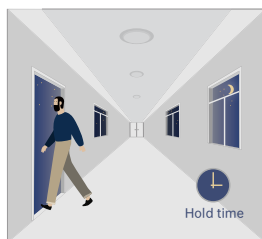
1. Automatically ON/OFF function



With sufficient daylight, even when motion detected, light remains OFF.



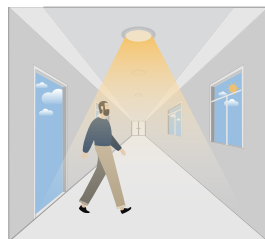
With insufficient daylight, the sensor turns light ON when motion gets detected.



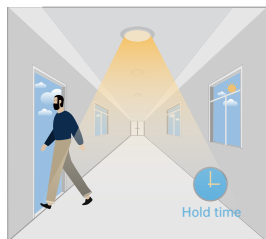
The sensor turns OFF light automatically after the holdtime when there's no motion detected.

2. Daylight Disable

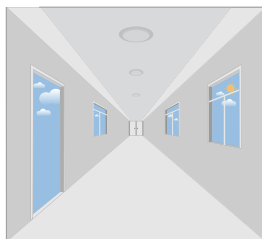
When daylight threshold is preset as "disable", the sensor turns light ON when motion gets detected, and OFF after holdtime.



The sensor turns light ON when motion gets detected.

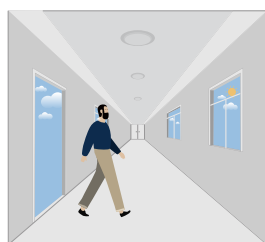


The sensor keeps light ON for holdtime period after motion leaves.

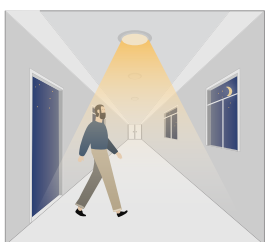


The sensor turns OFF light automatically after the holdtime.

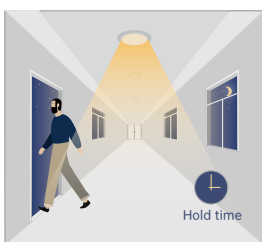
3. Corridor Function, Bi-level Dimmable



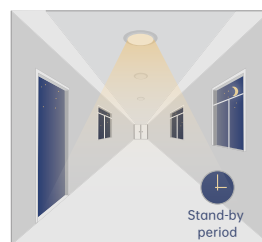
With sufficient daylight, the sensor keeps light OFF even motion gets detected.



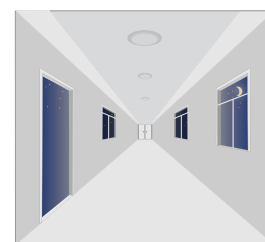
With insufficient daylight, the sensor turns light ON when motion gets detected.



After there's no motion detected, the sensor keeps light ON 100% for holdtime.



After holdtime, sensor dims light to standby dimming level for standby period.



The sensor turns OFF light automatically after the standby period when there's no motion detected.



Attention

1. The sensor should be installed by qualified electrician and ensure power is OFF before installation.
2. Please read the instruction carefully before using the product and keep it well for other users to read any time.
3. We reserve the right to modify any incorrect text, image and technical parameters.
4. Any unauthorized modification is forbidden. Otherwise all guarantees will be immediately invalid.
5. Product could be optimized without prior notice.

* When ambient temperature approaches the human body classic temperature range(36°C ~37°C/96.8~98.6°F), PIR sensor's detecting performance will significantly weaken or non-responsive.

* When ambient temperature stays higher then 40°C/104°F, PIR sensor's detecting performance will significantly weaken.

Application Notes

1. Suitable for indoor application, half/completely outdoor environment conditions might trigger the sensor.
2. Suitable for ceiling mount installation, adjust sensitivity properly if it's installed on side-wall because it gets more sensitive.
3. PIR sensor can't be placed inside any material, fresnel lens must completely exposed in air.
4. Fresnel lens of the PIR sensor must be lower than light fixture.
5. Not suitable environment if there's sudden changed temperature of airflow for PIR sensor.
6. Not suitable environment if there's shelves blocking between the sensor and presence area.
7. Detection area options may NOT working obviously because it works depends on fresnel lens, it's physically defined.
8. Detection distance performance works better when moving parallelly than moving towards to the sensor.
9. Daylight testing delivered in bright day without shadow or specially designed lampshade or lens.
10. Dimming performance differs when connected to different drivers; If the driver can't completely turn OFF, sensor can't either.
11. Input power voltage must be stable with float less than 10%.
12. The first time powered ON sensor, light will be ON 100% for about 45S then dims to standby level or OFF.
13. Distance detection is delivered by testing person about 165cm in open area as reference, the result differs by size and speed of moving objects, mounting height and real-life situation.