

# Installation Instructions

## iLineBar: S-IB-\_/CTS/\_



Unit 8 Gemini 8 Business Park  
Charon Way  
Apollo Park  
Warrington  
WA5 7AE

www.spectre-lighting.com

### Safety Precautions.

- Power Isolation: Always disconnect the power supply before installing, removing, or servicing the product to prevent electric shock, injury, or damage.
- Qualified Installation: Luminaires should be installed by a certified electrician in accordance with current local wiring regulations.
- Damaged Components: Replace any broken or faulty parts promptly. Spectre Lighting cannot be held liable for issues resulting from poor installation practices.
- Ambient Temperature: Ensure the room temperature does not exceed 25°C during operation.
- Power Supply Compatibility: These products are intended for use with a mains supply of 230–240V~ at 50/60Hz.
- Inrush Current Consideration: You may need to upgrade your MCBs to accommodate higher inrush currents.
- Insulation Testing: Do not perform insulation resistance tests while the product is connected to the circuit.
- Preparation: Review all instructions thoroughly and confirm you have the necessary tools and accessories for proper installation.

5yrs  
Warranty

### Pendant installation

**1** Off

**2** Press to adjust the length of the suspension wire

**3**

**4**

**5**

**6**

**7** Select preferred colour temperature.

N=Neutral  
⊕=Earth  
L=Switched  
PL=Unswitched

Select preferred colour temperature for product in CCT change function only

Select preferred color temperature.

**8**

N=Neutral  
⊕=Earth  
L=Switched  
PL=Unswitched

**9**

**10**

ON

### Installation Instructions

- Fig 1. Ensure power supply is isolated before proceeding with installation.
- Fig 2. Fix the suspending cable holder on the ceiling and install the cables.
- Fig 3. Take off the end caps on both ends and the diffuser.
- Fig 4. Push down on gear tray the position showed in picture to gain access to housing. Be careful not to damage LED PCB. Disconnect the male / female connector to release gear tray.
- Fig 5. Connect the suspending cable to the luminaire.
- Fig 6. Connect supply cable to driver terminations ensuring correct polarity is observed. These products are intended for use with a mains supply of 220–240V~ at 50/60Hz.
- Fig 7. Set product to desired CCT using dip switches box located on the cable and set desired wattage output using the dip switches located on the driver.
- Fig 8. Reconnect the male / female connectors. Replace the tray by pushing it to the fixture into locators.
- Fig 9. Install the diffuser and end caps.
- Fig 10. Reinstate power supply.

IP20

CE UK CA RoHS Comp Liant

# Surface mounted installation



Unit 8 Gemini 8 Business Park  
Charon Way  
Apollo Park  
Warrington  
WA5 7AE

[www.spectre-lighting.com](http://www.spectre-lighting.com)

**1** Ensure power supply is isolated before proceeding with installation.

**2** Take off the end caps on both ends and the diffuser.

**3** Push down on gear tray the position showed in picture to gain access to housing. Be careful not to damage LED PCB. Disconnect the male / female connector to release gear tray.

**4** Locate desired surface for installation. Mark appropriate fixing hole positions on wall / ceiling, check location of buried cables, pipes, and other building services before drilling.

| spec   | Hole spacing(A) |
|--------|-----------------|
| 1200mm | 890mm           |
| 1500mm | 1190mm          |

**5** Fix luminaire housing to ceiling.

**6** Connect supply cable to driver terminations ensuring correct polarity is observed. These products are intended for use with a mains supply of 220–240V~ at 50/60Hz.

N=Neutral  
 ⊕=Earth  
 L=Switched  
 PL=Unswitched

**7** Set product to desired CCT using dip switches box located on the cable and set desired wattage output using the dip switches located on the driver.

**8** Reconnect the male / female connectors. Replace the tray by pushing it to the fixture into locators.

**9** Install the diffuser and end caps.

**10** Reinstate power supply.

## Installation Instructions

- Ensure power supply is isolated before proceeding with installation.
- Take off the end caps on both ends and the diffuser.
- Push down on gear tray the position showed in picture to gain access to housing. Be careful not to damage LED PCB. Disconnect the male / female connector to release gear tray.
- Locate desired surface for installation. Mark appropriate fixing hole positions on wall / ceiling, check location of buried cables, pipes, and other building services before drilling.
- Fix luminaire housing to ceiling.
- Connect supply cable to driver terminations ensuring correct polarity is observed. These products are intended for use with a mains supply of 220–240V~ at 50/60Hz.
- Set product to desired CCT using dip switches box located on the cable and set desired wattage output using the dip switches located on the driver.
- Reconnect the male / female connectors. Replace the tray by pushing it to the fixture into locators.
- Install the diffuser and end caps.
- Reinstate power supply.

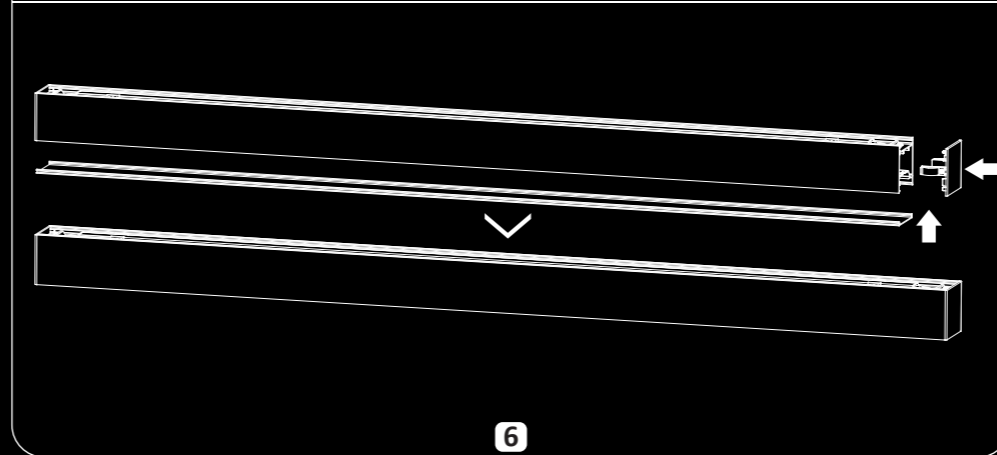
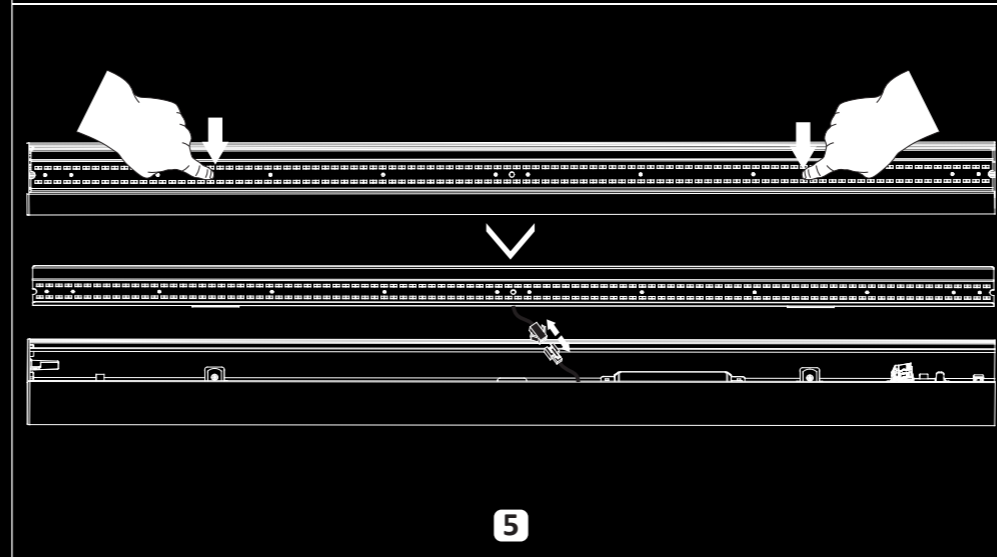
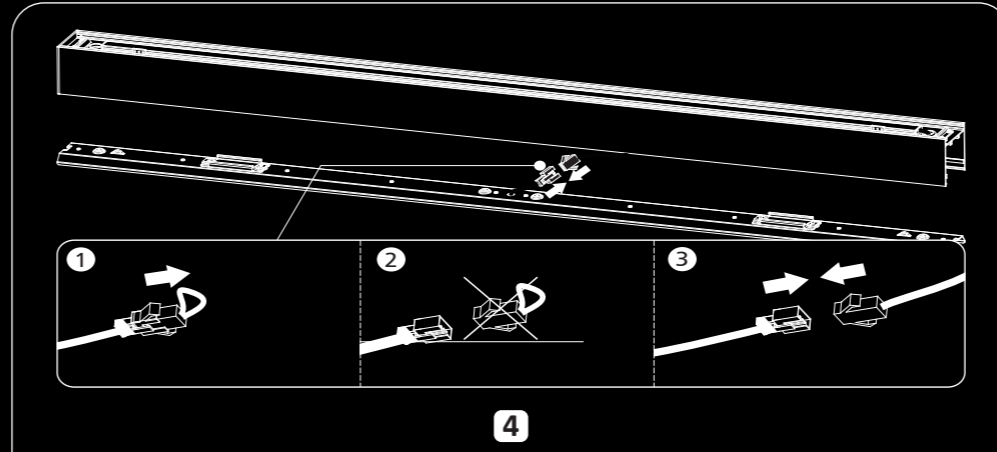
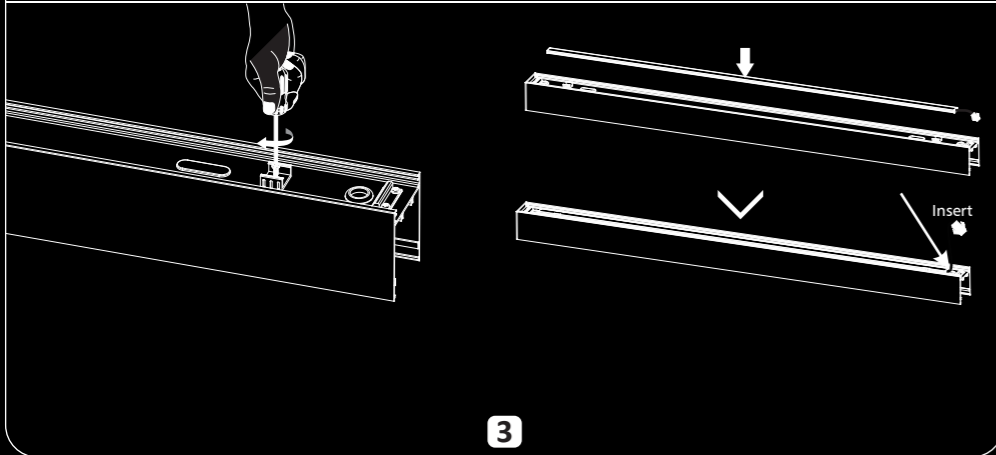
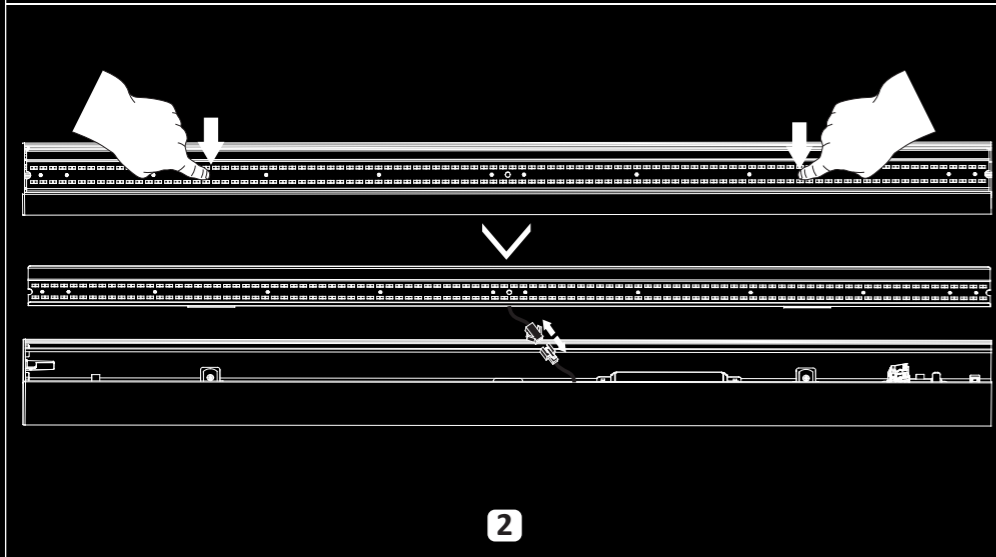
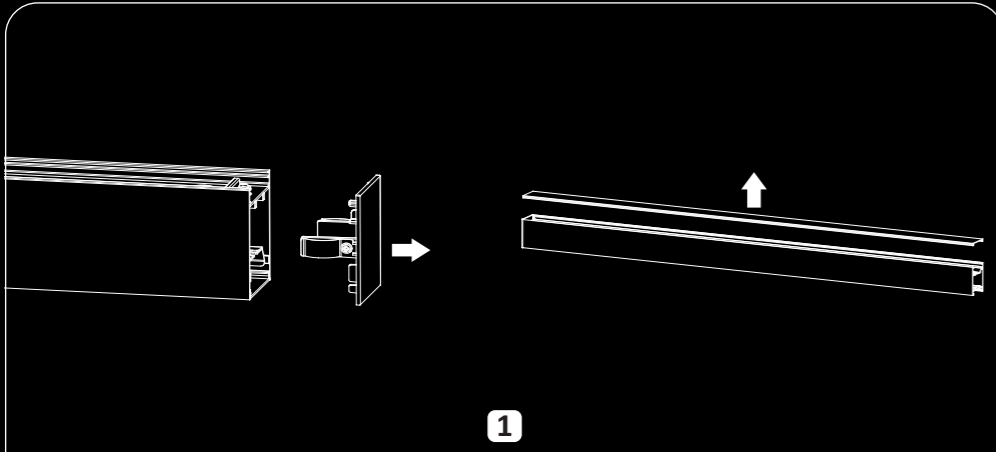


## Adding indirect lighting modular



Unit 8 Gemini 8 Business Park  
Charon Way  
Apollo Park  
Warrington  
WA5 7AE

[www.spectre-lighting.com](http://www.spectre-lighting.com)



### Installation Instructions

- Fig 1. Take off the end caps on both ends and the diffuser.
- Fig 2. Push down on gear tray the position shown in picture to gain access to housing. Be careful not to damage LED PCB. Disconnect the male / female connector to release gear tray.
- Fig 3. Fix upright module holders on the back of the luminaire.
- Fig 4. Push the indirect modular to the holder and get the wire through the hole. Remove the insulated terminal, plug in the modular connector and insert connector for upright module.
- Fig 5. Reconnect the male / female connectors. Replace the tray by pushing it to the fixture into locators.
- Fig 6. Install the diffuser and end cap.

# Installation Instructions

## iLineBar: S-IB-\_/CTS/\_



Unit 8 Gemini 8 Business Park  
Charon Way  
Apollo Park  
Warrington  
WA5 7AE

[www.spectre-lighting.com](http://www.spectre-lighting.com)

### Specification

#### S-IB-4/CTS/B

- Voltage Range – AC 220-240V 50/60Hz
- CCT – 3000K /4000K
- CRI80
- IP20
- 16W/22W/25W/32W
- 3,380Lm – 3,710Lm / 120Lm/W
- Temp Range –20°C –45 °C

### Specification

#### S-IB-4/CTS/GR

- Voltage Range – AC 220-240V 50/60Hz
- CCT – 3000K /4000K
- CRI80
- IP20
- 16W/22W/25W/32W
- 3,580Lm – 4,100Lm / 130Lm/W
- Temp Range –20°C –45 °C

### Specification

#### S-IB-4/CTS/W

- Voltage Range – AC 220-240V 50/60Hz
- CCT – 3000K /4000K
- CRI80
- IP20
- 16W/22W/25W/32W
- 3,890Lm – 4,480Lm / 140Lm/W
- Temp Range –20°C –45 °C

### Specification

#### S-IB-5/CTS/B

- Voltage Range – AC 220-240V 50/60Hz
- CCT – 3000K /4000K
- CRI80
- IP20
- 19W/28W/32W/38W
- 4,120Lm – 4,470Lm / 120Lm/W
- Temp Range –20°C –45 °C

### Specification

#### S-IB-5/CTS/GR

- Voltage Range – AC 220-240V 50/60Hz
- CCT – 3000K /4000K
- CRI80
- IP20
- 19W/28W/32W/38W
- 4,350Lm – 4,780Lm / 130Lm/W
- Temp Range –20°C –45 °C

### Specification

#### S-IB-5/CTS/W

- Voltage Range – AC 220-240V 50/60Hz
- CCT – 3000K /4000K
- CRI80
- IP20
- 19W/28W/32W/38W
- 4,730Lm – 5,200Lm / 140Lm/W
- Temp Range –20°C –45 °C

### Specification

#### S-IB-4/CTS/UL

- Voltage Range – 11V DC
- CCT – 3000K /4000K
- CRI80
- IP20
- 5W/8W/10W/12W
- 1,440Lm – 1,680Lm / 140Lm/W
- Temp Range –20°C –45 °C

### Specification

#### S-IB-5/CTS/UL

- Voltage Range – 11V DC
- CCT – 3000K /4000K / 6500K
- CRI80
- IP20
- 7W/10W/13W/15W
- 1,800Lm – 2,100Lm / 140Lm/W
- Temp Range –20°C –45 °C

### Specification

#### S-IB-4/UGR/CTS/REF

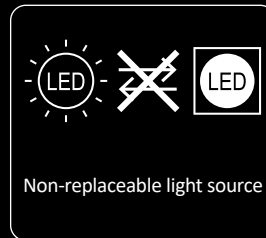
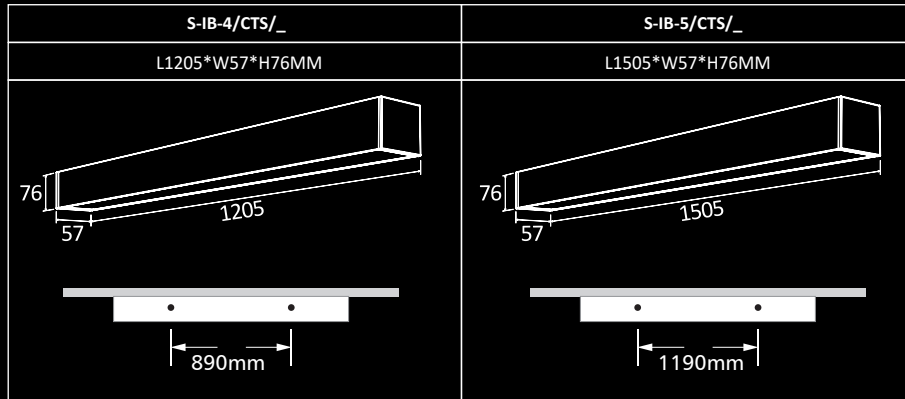
- Voltage Range – DC24-30V
- CCT – 3000K /4000K
- CRI80
- IP20
- 16W/22W/25W/32W
- 4,050Lm – 4,650Lm / 145Lm/W
- Temp Range –20°C –45 °C

### Specification

#### S-IB-5/UGR/CTS/REF

- Voltage Range – DC24-30V
- CCT – 3000K /4000K
- CRI80
- IP20
- 19W/28W/32W/38W
- 4,780Lm – 5,500Lm / 145Lm/W
- Temp Range –20°C –45 °C

## Dimensions



The light source of this luminaire is not replaceable, when the light source reaches its end of life the luminaire shall be replaced, utilising the existing driver



### Important Disposal Information for Waste Electrical & Electronic Equipment (WEEE)

Please be aware that Waste Electrical and Electronic Equipment (WEEE), identified by the crossed-out wheelee bin symbol, must NOT be disposed of with regular household waste.

We encourage you to support reuse, recycling, and responsible recovery by returning this product—once it reaches the end of its life—to an appropriate collection point. This may include a designated waste equipment centre, a civic amenity site, or the retailer where you originally purchased the item or are buying a replacement.

Improper disposal of this equipment may release substances that are harmful to both human health and the environment. To prevent this, it is essential that WEEE is separated from general waste and processed through approved recycling channels.

The crossed-out wheelee bin symbol serves as a reminder that this product requires special handling in accordance with local WEEE regulations.

IP20

